

**+NOTICE!!**

**These documents have been scanned!**

**Do not place un-scanned documents beneath this notice!**

**Do not remove this notice from this file!**

GPO Jacket No. 560-102  
Print Order 61540  
Rise Business Services, LLC  
Job=AZ15 9/11/2019



Box Number= AZ15234



Claim Begin-End: AMC456936-AMC456945

**1 Initial Receipt**



AZ15234-33

AMC448147-AMC457012



**United States Department of the Interior**  
**Bureau of Land Management**  
 DIV OF LANDS, MINRLS & ENERGY  
 ONE N CENTRAL AVE  
 PHOENIX, AZ 85004 -4427  
 Phone: 602-417-9200

Receipt	
No:	4544401

**Transaction #:** 4665393  
**Date of Transaction:** 08/27/2019

CUSTOMER:	
JCR MINING VENTURES LLC PO BOX 447 CONGRESS,AZ 85332-0447 US	

LINE #	QTY	DESCRIPTION	REMARKS	UNIT PRICE	TOTAL
1	10.00	LOCATABLE MINERALS / MINING CLAIMS-NEW,UNADJUD, ONE OR MORE AUTH NOS / NEW MINING CLAIM PROCESSING FEE <b>CASES:</b> AMC456936/\$20.00, AMC456937/\$20.00, AMC456938/\$20.00, AMC456939/\$20.00, AMC456940/\$20.00, AMC456941/\$20.00, AMC456942/\$20.00, AMC456943/\$20.00, AMC456944/\$20.00, AMC456945/\$20.00		- n/a -	200.00
2	10.00	LOCATABLE MINERALS / MINING CLAIMS-NEW,UNADJUD, ONE OR MORE AUTH NOS / NEW MINING CLAIMS LOCATION FEE <b>CASES:</b> AMC456936/\$37.00, AMC456937/\$37.00, AMC456938/\$37.00, AMC456939/\$37.00, AMC456940/\$37.00, AMC456941/\$37.00, AMC456942/\$37.00, AMC456943/\$37.00, AMC456944/\$37.00, AMC456945/\$37.00		- n/a -	370.00
3	10.00	LOCATABLE MINERALS / MINING CLAIMS-NEW,UNADJUD, ONE OR MORE AUTH NOS / NEW MINING CLAIMS MAINTENANCE FEE <b>CASES:</b> AMC456936/\$155.00, AMC456937/\$155.00, AMC456938/\$155.00, AMC456939/\$155.00, AMC456940/\$155.00, AMC456941/\$155.00, AMC456942/\$155.00, AMC456943/\$155.00, AMC456944/\$155.00, AMC456945/\$155.00	ENTERED AUG 29 2019 BY: <i>RAM</i>	- n/a -	1550.00
4	10.00	LOCATABLE MINERALS / MINING CLAIMS-NOT NEW-UNADJUD,ONE AUTH NO. ONLY / MINING CLAIM MONEY RECEIVED <b>CASES:</b> AMC456936/\$165.00, AMC456937/\$165.00, AMC456938/\$165.00, AMC456939/\$165.00, AMC456940/\$165.00, AMC456941/\$165.00,	2020 MAINT/10	- n/a -	1650.00



	AMC456942/\$165.00, AMC456943/\$165.00, AMC456944/\$165.00, AMC456945/\$165.00		
<b>TOTAL:</b>			<b>\$3,770.00</b>

**PAYMENT INFORMATION**

NOTE: Items will appear on credit card statement as "Bureau of Land Mgmt CO".

1	<b>AMOUNT:</b>	470.00	<b>POSTMARKED:</b>	N/A
	<b>TYPE:</b>	CREDIT CARD	<b>RECEIVED:</b>	08/27/2019
	<b>NAME:</b>	WEST SEDCO, INC PO BOX 447 CONGRESS AZ 85332-0447 US		
	<b>CARD NO:</b>	XXXXXXXXXXXX7247	<b>AUTH CODE:</b>	02743R
	<b>NAME ON CARD:</b>	DANIELLE C JACOBS		
	<b>SIGNATURE:</b>	OVER THE PHONE		
	2	<b>AMOUNT:</b>	3300.00	<b>POSTMARKED:</b>
<b>TYPE:</b>		CHECK	<b>RECEIVED:</b>	08/27/2019
<b>CHECK NO:</b>		408		
<b>NAME:</b>		WEST SEDCO, INC PO BOX 447 CONGRESS AZ 85332-0447 US		

**REMARKS**

This receipt was generated by the automated BLM Collections and Billing System and is a paper representation of a portion of the official electronic record contained therein.



**NOTICE!!**

**These documents have been scanned!**

**Do not place un-scanned documents beneath this notice!**

**Do not remove this notice from this file!**

GPO Jacket No. 560-102  
Print Order 61540  
Rise Business Services, LLC  
Job=AZ15 9/11/2019



Box Number= AZ15234



Claim Begin-End: AMC456936-AMC456945

**2 Correspondence**



AZ15234-33

AMC448147-AMC457012



**NO  
DOCUMENTS  
FOUND**

NO DOCUMENTS FOUND  
NO DOCUMENTS FOUND



**NOTICE!!**

**These documents have been scanned!**

**Do not place un-scanned documents beneath this notice!**

**Do not remove this notice from this file!**

GPO Jacket No. 560-102  
Print Order 61540  
Rise Business Services, LLC  
Job=AZ15 9/11/2019



Box Number= AZ15234



Claim Begin-End: AMC456936-AMC456945

**3 Transfers**



AZ15234-33

AMC448147-AMC457012



---

**NO  
DOCUMENTS  
FOUND**

NO DOCUMENTS FOUND  
NO DOCUMENTS FOUND



**NOTICE!!**

**These documents have been scanned!**

**Do not place un-scanned documents beneath this notice!**

**Do not remove this notice from this file!**

GPO Jacket No. 560-102  
Print Order 61540  
Rise Business Services, LLC  
Job=AZ15 9/11/2019



Box Number= AZ15234



Claim Begin-End: AMC456936-AMC456945

**4 Annual Filings**



AZ15234-33

AMC448147-AMC457012



UNITED STATES  
DEPARTMENT OF THE INTERIOR  
BUREAU OF LAND MANAGEMENT  
**MAINTENANCE FEE PAYMENT FORM FOR  
LODE CLAIMS, MILL SITES, AND TUNNEL SITES**

456936

Remitter Name: JCR-Mining Ventures LLC  
Mailing Address: Box 447  
City, State, Zip: Congress, Az 85332

Check here if this is a change of address.

FOR COUNTY RECORDER'S USE

No. of claims/sites \_\_\_\_\_  
\_\_\_\_\_ per claim/site  
Total due BLM \$ \_\_\_\_\_

1. The maintenance fee may be paid by cash, check, money order, Bureau of Land Management (BLM) Declining Deposit Account, or credit card (VISA, American Express, Discover, or MasterCard). Payments must be remitted to the BLM State Office where your claim or site is recorded and received on or before September 1. If the payment is mailed, the envelope must be postmarked by a bona fide delivery service on or before September 1 and received at the proper BLM State Office within 15 calendar days after the due date. Payments may also be made by telephone using a credit card. A complete listing of BLM State Offices with their addresses and phone numbers can be found at <http://www.blm.gov>.

2. The maintenance fee for the following claim(s)/site(s) applies to the assessment year <sup>2020</sup>~~2020~~-2021

CLAIM/SITE NAME	BLM SERIAL NO.
DND #1	456936
DND #2	456937
DND #5	456940
DND #6	456941
DND #7	456942
DND #8	456943
DND #9	456944
DND #10	456945

Use a separate sheet for additional claim/site names, serial numbers, and claimant names and addresses.

# 4778395

(Continued on page 2)

**ENTERED**  
AUG 17 2020  
BY: WV

RECEIVED  
BLM AZ STATE OFFICE  
2020 AUG 19 A 8:30  
PHOENIX, ARIZONA



Goldconda Resources Corp.

P.O. Box 487447  
Congress, Arizona 85332

8-3-2020

BLM

Phoenix, Az.

Sirs:

Please find enclosed chk. # 428 in  
amt. of \$1320<sup>00</sup>, to cover the annual  
maint. fee for 8-DND claims @ \$165<sup>00</sup> ea.

Also, a stamped envelope for the "return" -

928-427-3844

Thank You,  
Dan Jacob  
Agent.

RECEIVED  
BLM AZ STATE OFFICE  
2020 AUG 10 A 8:30  
PHOENIX, ARIZONA

**United States Department of the Interior**  
**Bureau of Land Management**  
 DIV OF LANDS, MINRLS & ENERGY  
 ONE N CENTRAL AVE  
 PHOENIX, AZ 85004 -4427  
 Phone: 602-417-9200

Receipt

No: 4778395

<b>Transaction #:</b> 4905361	
<b>Date of Transaction:</b> 08/11/2020	
<b>CUSTOMER:</b>	
JCR MINING VENTURE LLC PO BOX 447 CONGRESS, AZ 85332-0447 US	

LINE #	QTY	DESCRIPTION	REMARKS	UNIT PRICE	TOTAL
1	1.00	LOCATABLE MINERALS / MINING CLAIMS-NOT NEW-UNADJUD, ONE AUTH NO. ONLY / MINING CLAIM MONEY RECEIVED CASES: AMC456936/\$1320.00	MAINT 2021	- n/a -	1320.00
<b>TOTAL:</b>					<b>\$1,320.00</b>

PAYMENT INFORMATION			
1	AMOUNT:	1320.00	POSTMARKED: N/A
	TYPE:	CHECK	RECEIVED: 08/10/2020
	CHECK NO:	428	
	NAME:	WEST SEDCO INC PO BOX 447 CONGRESS AZ 85332-0447 US	

<b>REMARKS</b>

This receipt was generated by the automated BLM Collections and Billing System and is a paper representation of a portion of the official electronic record contained therein.



Goldconda Resources Corp.

P.O. Box 487-447

Congress, Arizona 85332

PHOENIX AZ 852

05 AUG 2020 PM 11 L



B.L.M.  
Az. State Office  
222 - N. Central Ave.  
Phoenix, Az.

85004

Maint  
Fee

RECEIVED  
BLM AZ STATE OFFICE

2020 AUG 10 A 8:30

PHOENIX ARIZONA

85004-220399



**NOTICE!!**

**These documents have been scanned!**

**Do not place un-scanned documents beneath this notice!**

**Do not remove this notice from this file!**

GPO Jacket No. 560-102  
Print Order 61540  
Rise Business Services, LLC  
Job=AZ15 9/11/2019



Box Number= AZ15234



Claim Begin-End: AMC456936-AMC456945

**5 Miscellaneous**



AZ15234-33

AMC448147-AMC457012



**NO  
DOCUMENTS  
FOUND**

NO DOCUMENTS FOUND  
NO DOCUMENTS FOUND



**NOTICE!!**

**These documents have been scanned!**

**Do not place un-scanned documents beneath this notice!**

**Do not remove this notice from this file!**

GPO Jacket No. 560-102  
Print Order 61540  
Rise Business Services, LLC  
Job=AZ15 9/11/2019



Box Number= AZ15234



Claim Begin-End: AMC456936-AMC456945

**6 Location Notices-Amendments and Supporting Documents**



AZ15234-33

AMC448147-AMC457012



**MINING CLAIM STATUS REPORT – 2018 - 2019**

Data Entered: 8/29/19 RAM

MTP Checked By: AK 8/29/19 RAM  
GEO Checked By: 8/29/19 RAM

LEAD SERIAL NUMBER: AMC 456936 thru AMC 456945

**NUMBER OF CLAIMS & TYPE:**

10 LODE  
\_\_\_\_ PLACER  
\_\_\_\_ ASSOCIATION PLACER  
\_\_\_\_ MILL SITE  
\_\_\_\_ TUNNEL SITE

**CHARGES:**

Processing Fee @ \$20 = \$ 200  
Location Fee @ \$37 = \$ 370  
Maintenance Fee @ \$155 = \$ 1550  
Add'l Maint Fee for Assoc Placer = \$ \_\_\_\_\_  
**SUBTOTAL** \$ 2120  
2020 MAINT/10 Other Fees \$ 1650  
Other Fees \$ \_\_\_\_\_  
**TOTAL** \$ 3770

TOTAL ACREAGE: \_\_\_\_\_ Per Claim  
(Placer Only)

NUMBER OF LOCATORS: 1

DOCUMENTS RECEIVED VIA : Over-the-Counter [  ] Mail [  ] **TIMELY FILED:** Yes [  ] No [  ]

LEGAL DESCRIPTION: T 22N R 17W SEC 5  
T \_\_\_\_\_ R \_\_\_\_\_ SEC \_\_\_\_\_  
T \_\_\_\_\_ R \_\_\_\_\_ SEC \_\_\_\_\_  
T \_\_\_\_\_ R \_\_\_\_\_ SEC \_\_\_\_\_  
T \_\_\_\_\_ R \_\_\_\_\_ SEC \_\_\_\_\_

BLM [  ] FOREST SERVICE [  ] \_\_\_\_\_ SUBJ TO PL 359: Yes [  ] No [  ]  
WILDERNESS AREA [  ] \_\_\_\_\_

SPLIT ESTATE: N/A [  ] SX [  ] PX [  ] OTHER [  ] \_\_\_\_\_  
SRHA [  ] Was proper Notice filed if located on SHRA Land? Yes [  ] No [  ]

**RECONVEYED MINERALS ON BLM LAND REQUIRE OPENING ORDER FROM 1944 TO 1993:**

Open to Entry On \_\_\_\_\_ N/A [  ]

COMMENTS/STATUS: VOID [  ] PARTIALLY VOID [  ] PVT MINERALS [  ] WITHDRAWN LANDS [  ]  
OTHER [  ] \_\_\_\_\_

[  ] Claimant acknowledges that portions of the following claim(s) site(s) may be void or voidable.

Printed Name of Claimant \_\_\_\_\_ Signature of Claimant \_\_\_\_\_

\*\*\*\*\*FINAL ADJUDICATION\*\*\*\*\*

DATE \_\_\_\_\_ INITIALS \_\_\_\_\_



LOCATION NOTICE FOR PLATONIC MINING CLAIM

Amendment BLM Serial # \_\_\_\_\_

NOTICE IS HEREBY GIVEN that the DND# 1

lode mining claim has been located by

JCR-Mining Ventures whose current mailing

address is P.O. Box 447, Congress, Az

85332

RECEIVED  
BLM AZ STATE OFFICE  
2019 AUG 27 A 11:11  
PHOENIX, ARIZONA  
BLM  
Date  
Stamp

The general course of this claim is East to West and it is situated in Mohave

County, Arizona. This claim is 1500 feet in length and 600 feet in width.

20 Total Claim Acreage. This claim runs from the location monument on which this location notice is posted at the NE corner of the claim approximately 600 feet in a South direction to the South end line and 1500 feet in a West direction to the West end line. This claim is marked by four monuments, one at each corner of the claim.

The location monument on which this notice is posted is situated within Section 5, Township

22 N, Range 17 W, Gila Salt River Base and Meridian, Arizona. This claim encompasses

portions of the following legal subdivision(s) if located by legal subdivision or the following quarter section(s),

section(s), Township(s) and Range(s) 1/4 Sec. 5; T-22-N; R-17-W

\_\_\_\_\_, Gila Salt River Base and Meridian, Arizona.

The locality of this claim with reference to some natural object or permanent monument and additional information

(if any) concerning its locality are as follows: NE-Corner of claim is approx.

330 ft. South of The NE Corner of Sec. 5

T-22-N, R. 17-W. The above information is shown on the attached map.

DATED AND POSTED on the ground this 25 day of Aug., 2019.

LOCATOR(s)  AGENT

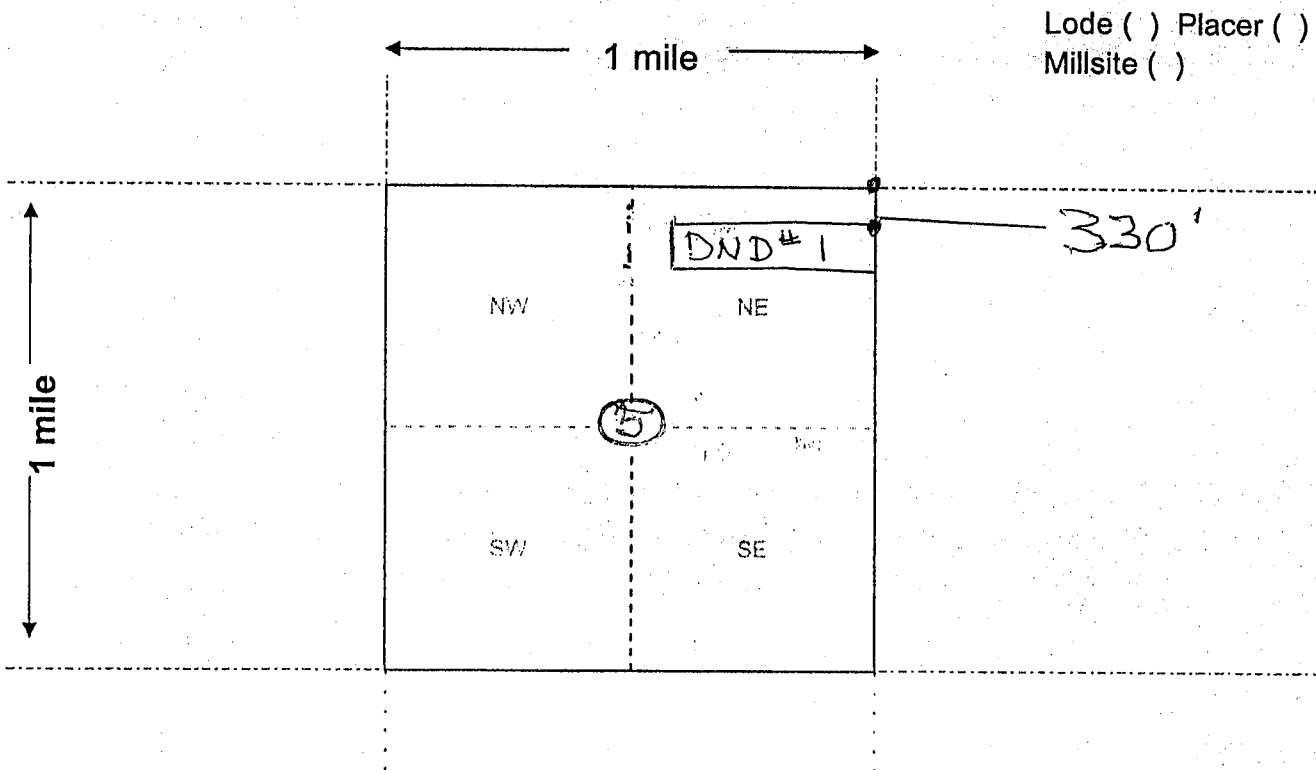
Print Name(s) Dan Jacobs

Signature(s) Dan Jacobs

Form MCF102  
Revised July 2014

AMC456936

**MINING CLAIM MAP**



Scale: 1" = 2000 feet



- The above map depicts the DND # 1 mining claim, which is located in Section (s) 5, Township 22 N, Range 17 W, Gila and Salt River Base and Meridian, Mohave County, Arizona. Total claim acreage is 20
- The type of corner and location monuments used are as follows: 4" high plastic pipe X 2"
- The bearings and distances in degrees and feet between claim corners and to a public land survey monument are as depicted on the map.
- If the claim is a lode claim with exterior limits conforming to legal subdivisions of the public survey, provide a legal description of the claim NE 1/4 - Sec 5 - T-22N, R-17-W

Form MCF100a  
Revised July 2014

This form is available from the Arizona Geology Survey and may be reproduced.



LOCATION NOTICE FOR MINING CLAIM

Amendment BLM Serial # \_\_\_\_\_

NOTICE IS HEREBY GIVEN that the DND # 2

lode mining claim has been located by

JCR-Mining Ventures whose current mailing

address is P.O. Box 447, Congress, Az

85332

BLM  
Date  
Stamp

PHOENIX, ARIZONA

2019 AUG 27 A 11:03

RECEIVED  
BLM AZ STATE OFFICE

The general course of this claim is East to West and it is situated in Mohave

County, Arizona. This claim is 1500 feet in length and 600 feet in width.

20 Total Claim Acreage. This claim runs from the location monument on which this location notice is

posted at the NE corner of the claim approximately 930 feet in a South direction to the

North end line and 1230 feet in a South direction to the South end line. This claim is

marked by four monuments, one at each corner of the claim.

The location monument on which this notice is posted is situated within Section 5, Township

22 N, Range 17 W, Gila Salt River Base and Meridian, Arizona. This claim encompasses

portions of the following legal subdivision(s) if located by legal subdivision or the following quarter section(s),

section(s), Township(s) and Range(s) NE 1/4 Sec. 5; T-22-N; R-17-W

\_\_\_\_\_, Gila Salt River Base and Meridian, Arizona.

The locality of this claim with reference to some natural object or permanent monument and additional information

(if any) concerning its locality are as follows: The NE-Corner of this claim

is approx. 930-ft. South of the NE Corner of

Sec. 5, T-22-N, R-17-W. The above information is shown on the attached map.

DATED AND POSTED on the ground this 25 day of Aug., 2019.

LOCATOR(s)  AGENT

Print Name(s) Dan Jacobs

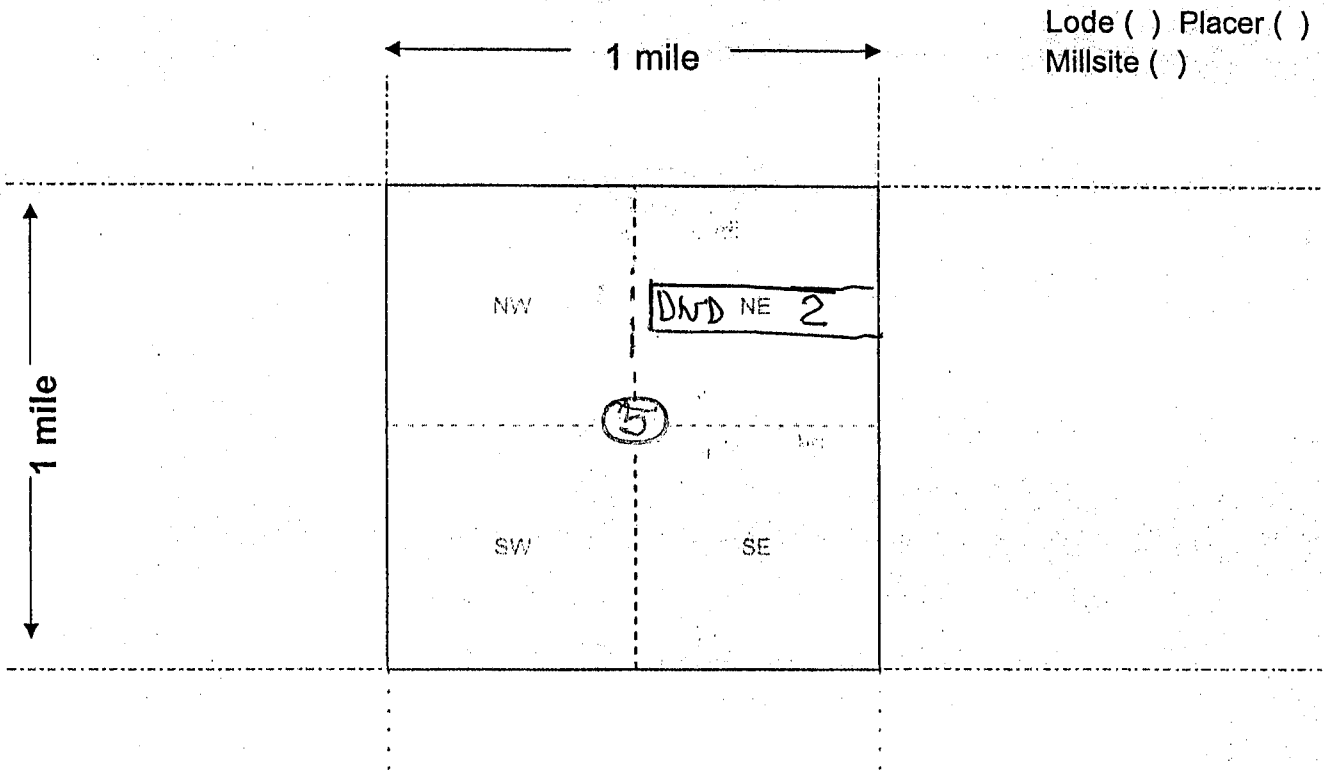
Signature(s) Dan Jacobs

Form MCF102  
Revised July 2014

This form is available from the Arizona Geological Survey and may be reproduced.

AMC456937

**MINING CLAIM MAP**



Scale: 1" = 2000 feet



1. The above map depicts the DND # mining claim, which is located in Section (s) 5, Township 22 N, Range 17 W, Gila and Salt River Base and Meridian, Mohave County, Arizona. Total claim acreage is 20
2. The type of corner and location monuments used are as follows: 4' high plastic pipe x 2"
3. The bearings and distances in degrees and feet between claim corners and to a public land survey monument are as depicted on the map.
4. If the claim is a lode claim with exterior limits conforming to legal subdivisions of the public survey, provide a legal description of the claim NE 1/4 - Sec 5 - T-22N, R-17-W

Form MCF100a  
Revised July 2014

This form is available from the Arizona Geology Survey and may be reproduced.



LOCATION NOTICE FOR PLACER MINING CLAIM

Amendment BLM Serial # \_\_\_\_\_

NOTICE IS HEREBY GIVEN that the DND # 3

lode mining claim has been located by

JCR-Mining Ventures whose current mailing

address is P.O. Box 447, Congress, Az

85332

RECEIVED  
BLM AZ STATE OFFICE  
2019 AUG 27 A 11 01 AM  
PHOENIX, ARIZONA  
BLM  
Date  
Stamp

The general course of this claim is East to West and it is situated in Mohave

County, Arizona. This claim is 1500 feet in length and 600 feet in width.

20 Total Claim Acreage. This claim runs from the location monument on which this location notice is posted at the NE corner of the claim approximately 600 feet in a South direction to the South end line and 1500 feet in a West direction to the West end line. This claim is marked by four monuments, one at each corner of the claim.

The location monument on which this notice is posted is situated within Section 5, Township 22 N, Range 17 W, Gila Salt River Base and Meridian, Arizona. This claim encompasses portions of the following legal subdivision(s) if located by legal subdivision or the following quarter section(s), section(s), Township(s) and Range(s) NE 1/4 Sec. 5; T-22N; R-17-W

\_\_\_\_\_, Gila Salt River Base and Meridian, Arizona.

The locality of this claim with reference to some natural object or permanent monument and additional information (if any) concerning its locality are as follows: The NE corner of claim is approx 1530 ft. from the NE corner of Sec 5-T-22N R-17W

\_\_\_\_\_. The above information is shown on the attached map.

DATED AND POSTED on the ground this 25 day of Aug., 2019.

LOCATOR(s)  AGENT

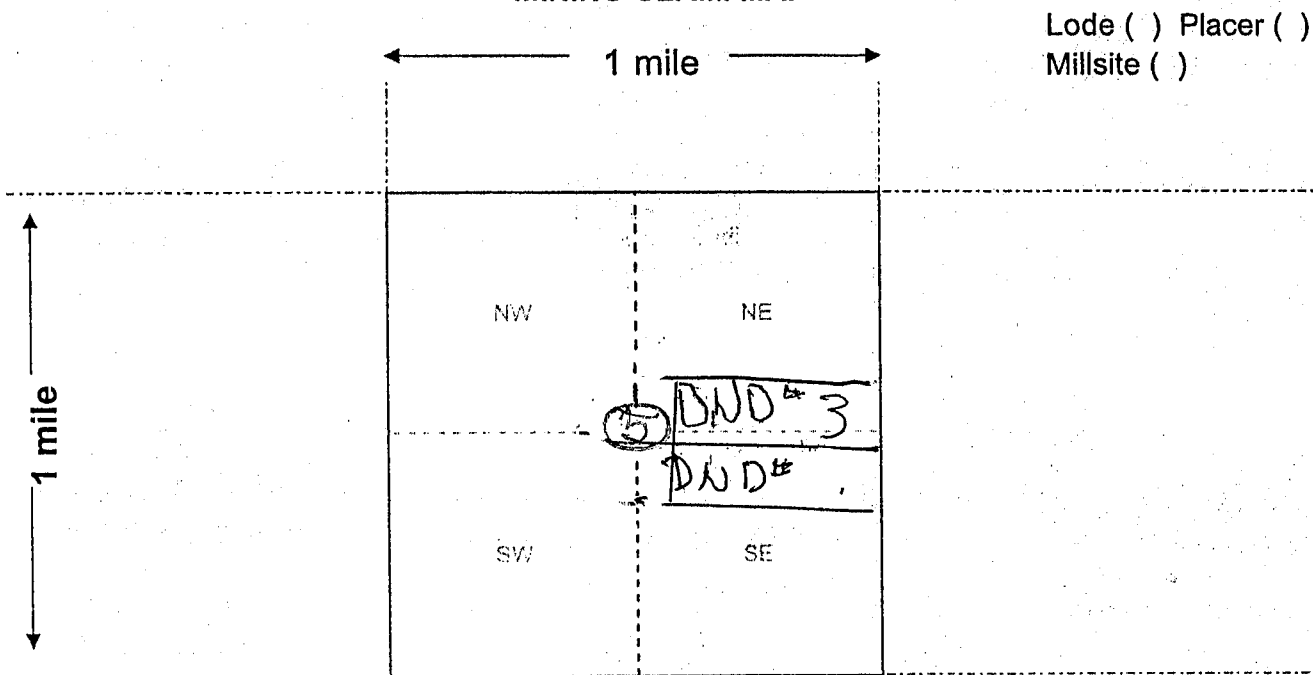
Print Name(s) Dan Jacobs

Signature(s) Daniel C. Jacob

Form MCF102  
Revised July 2014

AMC456938

**MINING CLAIM MAP**



Scale: 1" = 2000 feet



1. The above map depicts the DND # 3 mining claim, which is located in Section (s) 5, Township 22 N, Range 17 W, Gila and Salt River Base and Meridian, Mohave County, Arizona. Total claim acreage is 20

2. The type of corner and location monuments used are as follows: 4' high plastic pipe x 2"

3. The bearings and distances in degrees and feet between claim corners and to a public land survey monument are as depicted on the map.

4. If the claim is a lode claim with exterior limits conforming to legal subdivisions of the public survey, provide a legal description of the claim NE 1/4 - Sec 5 - T-22N, R-17-W

Form MCF100a  
Revised July 2014



LOCATION NOTICE FOR MINING CLAIM

Amendment BLM Serial # \_\_\_\_\_

NOTICE IS HEREBY GIVEN that the DND # 4

lode mining claim has been located by

JCR-Mining Ventures whose current mailing

address is P.O. Box 447, Congress, Az

85332

RECEIVED  
BLM AZ STATE OFFICE  
2019 AUG 27 A 11:00  
PHOENIX, ARIZONA  
BLM  
Date  
Stamp

The general course of this claim is East to West and it is situated in Mohave

County, Arizona. This claim is 1500 feet in length and 600 feet in width.

20 Total Claim Acreage. This claim runs from the location monument on which this location notice is

posted at the NE corner of the claim approximately 600 feet in a South direction to the

South end line and 1500 feet in a West direction to the West end line. This claim is

marked by four monuments, one at each corner of the claim.

The location monument on which this notice is posted is situated within Section 5, Township

22 N, Range 17 W, Gila Salt River Base and Meridian, Arizona. This claim encompasses

portions of the following legal subdivision(s) if located by legal subdivision or the following quarter section(s),

section(s), Township(s) and Range(s) NE 1/4 Sec. 5; T22N; R-17-W

\_\_\_\_\_, Gila Salt River Base and Meridian, Arizona.

The locality of this claim with reference to some natural object or permanent monument and additional information

(if any) concerning its locality are as follows: the NE corner of this claim is

approx. 2130 ft. South of the NE corner of Sec 5

T-22N, R-17-W. The above information is shown on the attached map.

DATED AND POSTED on the ground this 25 day of Aug., 2019.

LOCATOR(s)  AGENT

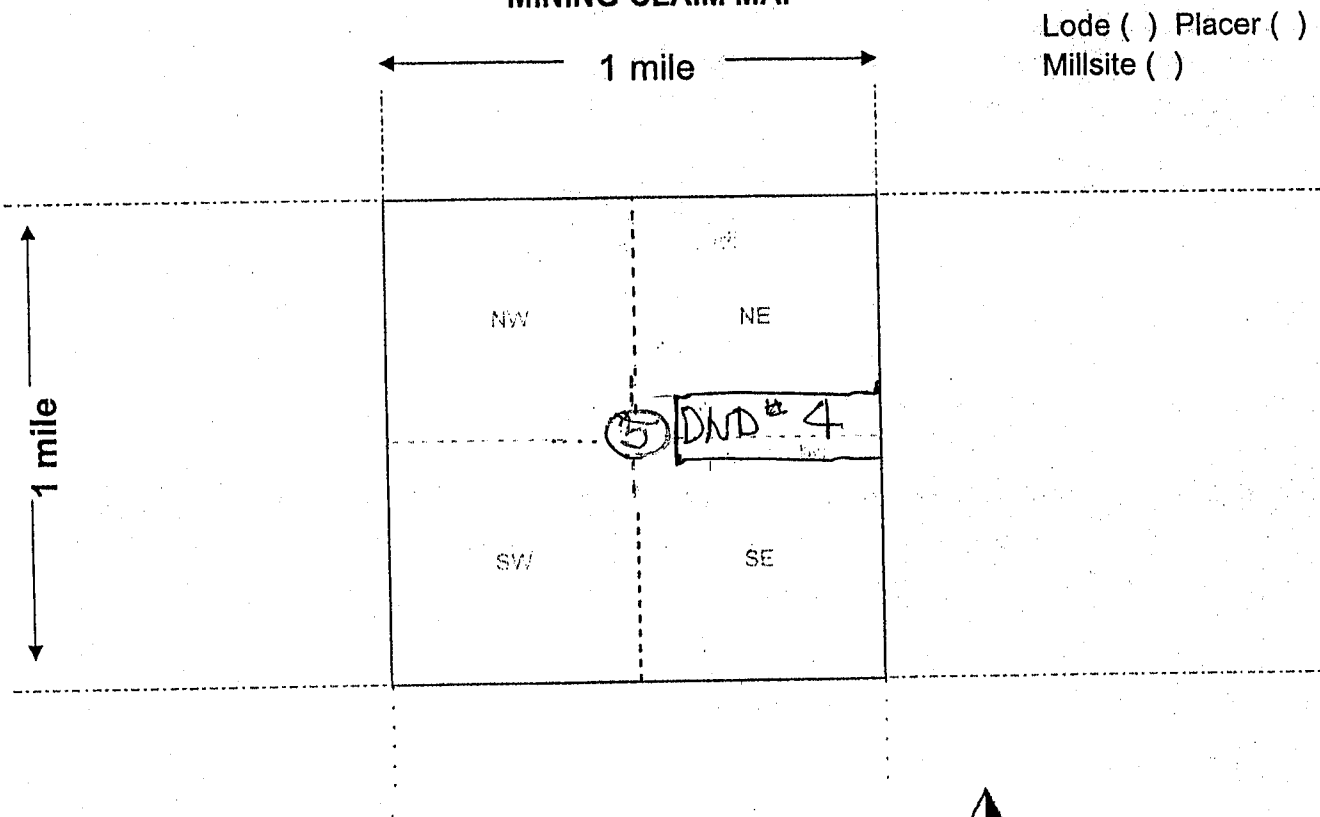
Print Name(s) Dan Jacobs

Signature(s) Dan Jacobs

Form MCF102  
Revised July 2014

AMC456939

**MINING CLAIM MAP**



Scale: 1" = 2000 feet

- The above map depicts the DND # 4 mining claim, which is located in Section (s) 5, Township 22 N, Range 17 W, Gila and Salt River Base and Meridian, Mohave County, Arizona. Total claim acreage is 20.
- The type of corner and location monuments used are as follows: 4' high plastic pipe X 2"
- The bearings and distances in degrees and feet between claim corners and to a public land survey monument are as depicted on the map.
- If the claim is a lode claim with exterior limits conforming to legal subdivisions of the public survey, provide a legal description of the claim: NESE/4 - Sec 5 - T-22N, R-17-W

Form MCF100a  
Revised July 2014

This form is available from the Arizona Geology Survey and may be reproduced.



LOCATION NOTICE FOR LODE MINING CLAIM

Amendment BLM Serial # \_\_\_\_\_

NOTICE IS HEREBY GIVEN that the DND # 5

loade mining claim has been located by JCR-Mining Ventures whose current mailing address is P.O. Box 447, Congress, Az 85332

RECEIVED  
BLM AZ STATE OFFICE  
2019 AUG 27 A 11:04  
PHOENIX, ARIZONA

BLM  
Date  
Stamp

The general course of this claim is East to West and it is situated in Mohave

County, Arizona. This claim is 1500 feet in length and 600 feet in width.

20 Total Claim Acreage. This claim runs from the location monument on which this location notice is posted at the NE corner of the claim approximately 600 feet in a South direction to the South end line and 1500 feet in a West direction to the West end line. This claim is marked by four monuments, one at each corner of the claim.

The location monument on which this notice is posted is situated within Section 5, Township 22 N, Range 17 W, Gila Salt River Base and Meridian, Arizona. This claim encompasses portions of the following legal subdivision(s) if located by legal subdivision or the following quarter section(s), section(s), Township(s) and Range(s) SE 1/4 Sec. 5; T22N; R-17W, Gila Salt River Base and Meridian, Arizona.

The locality of this claim with reference to some natural object or permanent monument and additional information (if any) concerning its locality are as follows: The NE corner of this claim is approx. 2470 ft. South of the NE corner of Sec. 5 T-22N; R-17W. The above information is shown on the attached map.

DATED AND POSTED on the ground this 25 day of Aug., 2019.

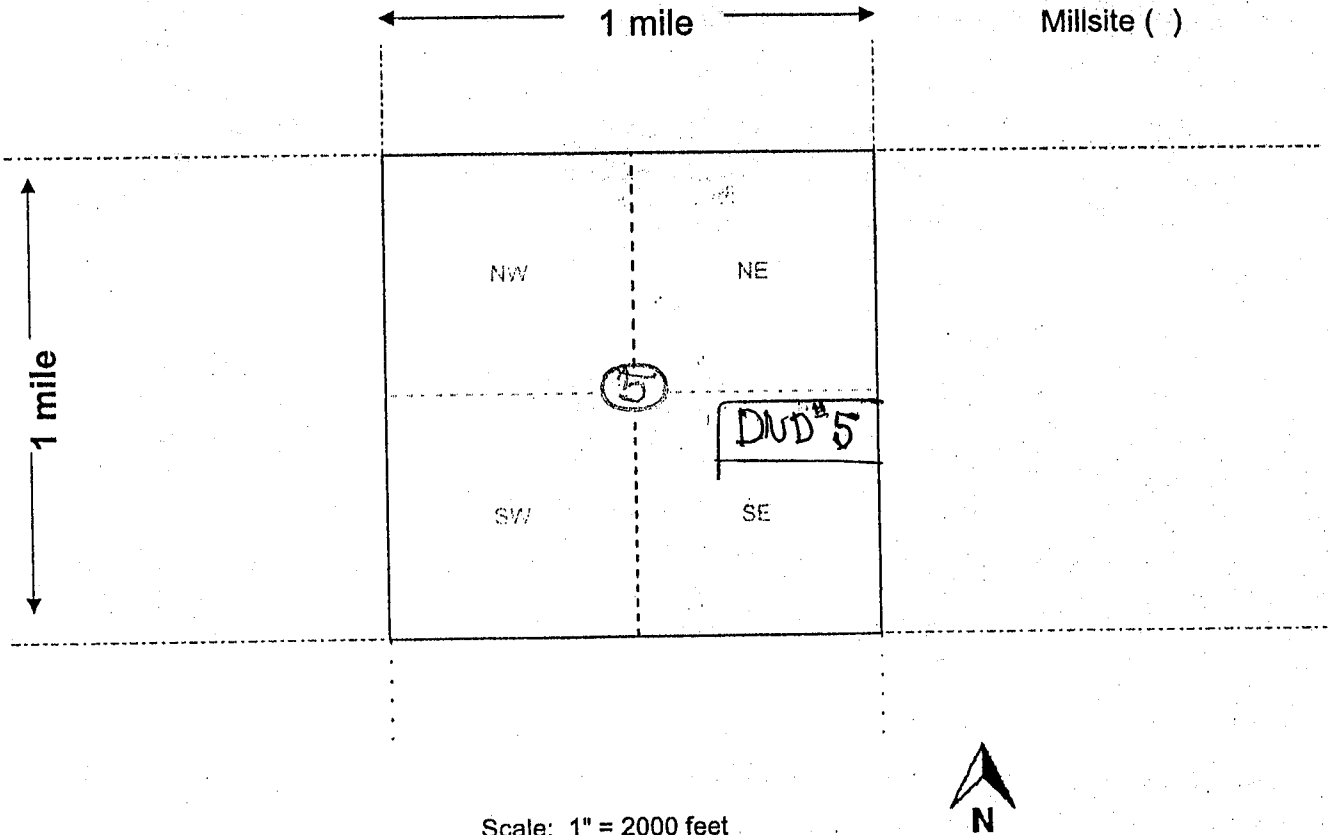
LOCATOR(s)  AGENT  
Print Name(s) Dan Jacobs  
Signature(s) Dan Jacobs

Form MCF102  
Revised July 2014

AMC 456940

**MINING CLAIM MAP**

Lode ( ) Placer ( )  
Millsite ( )



- Scale: 1" = 2000 feet
- The above map depicts the DND #5 mining claim, which is located in Section (s) 5, Township 22 N, Range 17 W, Gila and Salt River Base and Meridian, Mohave County, Arizona. Total claim acreage is 20
  - The type of corner and location monuments used are as follows: 4" high plastic pipe x 2"
  - The bearings and distances in degrees and feet between claim corners and to a public land survey monument are as depicted on the map.
  - If the claim is a lode claim with exterior limits conforming to legal subdivisions of the public survey, provide a legal description of the claim SE 1/4 - Sec. 5 - T-22N, R-17-W

Form MCF100a  
Revised July 2014



LOCATION NOTICE FOR MINING CLAIM

Amendment BLM Serial # \_\_\_\_\_

NOTICE IS HEREBY GIVEN that the DND # 6

lode mining claim has been located by

JCR-Mining Ventures whose current mailing

address is P.O. Box 447, Congress, Az

85332

RECEIVED  
BLM AZ STATE OFFICE  
PHOENIX, ARIZONA  
AUG 27 11 01 AM '19  
BLM  
Date  
Stamp

The general course of this claim is East to West and it is situated in Mohave

County, Arizona. This claim is 1500 feet in length and 600 feet in width.

20 Total Claim Acreage. This claim runs from the location monument on which this location notice is

posted at the NE corner of the claim approximately 600 feet in a South direction to the

S end line and 1500 feet in a West direction to the West end line. This claim is

marked by four monuments, one at each corner of the claim.

The location monument on which this notice is posted is situated within Section 5, Township

22 N, Range 17 W, Gila Salt River Base and Meridian, Arizona. This claim encompasses

portions of the following legal subdivision(s) if located by legal subdivision or the following quarter section(s),

section(s), Township(s) and Range(s) SE 1/4 Sec. 5, T-22N, R-17-W

\_\_\_\_\_, Gila Salt River Base and Meridian, Arizona.

The locality of this claim with reference to some natural object or permanent monument and additional information

(if any) concerning its locality are as follows: The SE corner of this claim is

approx. 1320' - North of the SE-corner of Sec 5 -

T-22N, R-17-W. The above information is shown on the attached map.

DATED AND POSTED on the ground this 25 day of Aug., 2019.

LOCATOR(s)  AGENT

Print Name(s) Dan Jacobs

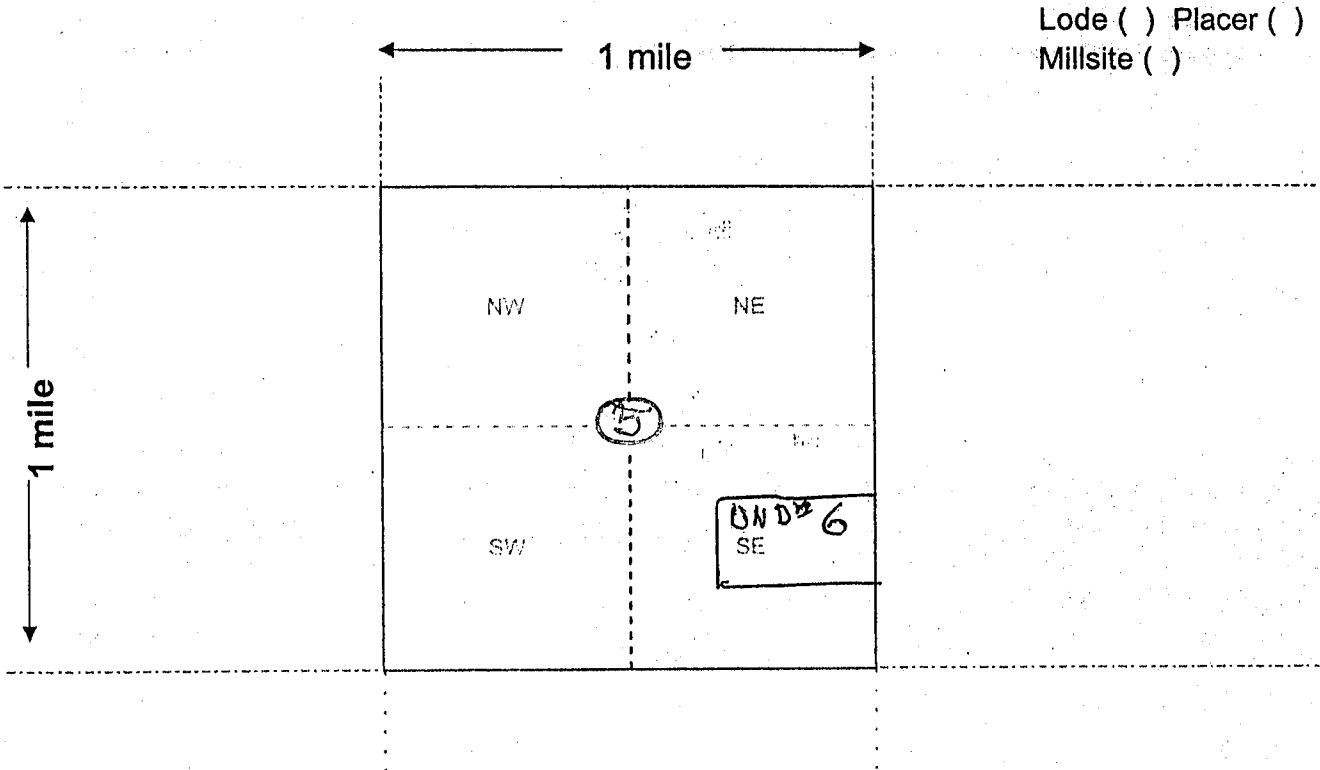
Signature(s) Dan Jacobs

Form MCF102  
Revised July 2014

This form is available from the Arizona Geological Survey and may be reproduced.

AMC456941

**MINING CLAIM MAP**



Lode ( ) Placer ( )  
Millsite ( )

Scale: 1" = 2000 feet



1. The above map depicts the DND # 6 mining claim, which is located in Section (s) 5, Township 22 N, Range 17 W, Gila and Salt River Base and Meridian, Mohave County, Arizona. Total claim acreage is 20

2. The type of corner and location monuments used are as follows: 4' high plastic pipe

3. The bearings and distances in degrees and feet between claim corners and to a public land survey monument are as depicted on the map.

4. If the claim is a lode claim with exterior limits conforming to legal subdivisions of the public survey, provide a legal description of the claim SE-1/4 - Sec. 5 - T-22N, R-17-W

Form MCF100a  
Revised July 2014



LOCATION NOTICE FOR MINING CLAIM

Amendment BLM Serial # \_\_\_\_\_

NOTICE IS HEREBY GIVEN that the DND # 7

lode mining claim has been located by

JCR-Mining Ventures whose current mailing

address is P.O. Box 447, Congress, Az  
85332

RECEIVED  
BLM AZ STATE OFFICE  
PHOENIX, ARIZONA  
2019 AUG 27 A 11:01 AM  
BLM  
Date  
Stamp

The general course of this claim is East to West and it is situated in Mohave

County, Arizona. This claim is 1500 feet in length and 600 feet in width.

20 Total Claim Acreage. This claim runs from the location monument on which this location notice is

posted at the NE corner of the claim approximately 600 feet in a South direction to the

South end line and 1500 feet in a West direction to the West end line. This claim is

marked by four monuments, one at each corner of the claim.

The location monument on which this notice is posted is situated within Section 5, Township

22 N, Range 17 W, Gila Salt River Base and Meridian, Arizona. This claim encompasses

portions of the following legal subdivision(s) if located by legal subdivision or the following quarter section(s),

section(s), Township(s) and Range(s) SE 1/4 Sec. 5; T22N; R-17-W

\_\_\_\_\_, Gila Salt River Base and Meridian, Arizona.

The locality of this claim with reference to some natural object or permanent monument and additional information

(if any) concerning its locality are as follows: The SE corner of this claim is

approx. 720' North of the SE corner of Sec 5

T-22N, R-17-W

The above information is shown on the attached map.

DATED AND POSTED on the ground this 25 day of Aug., 2019.

LOCATOR(s)  AGENT

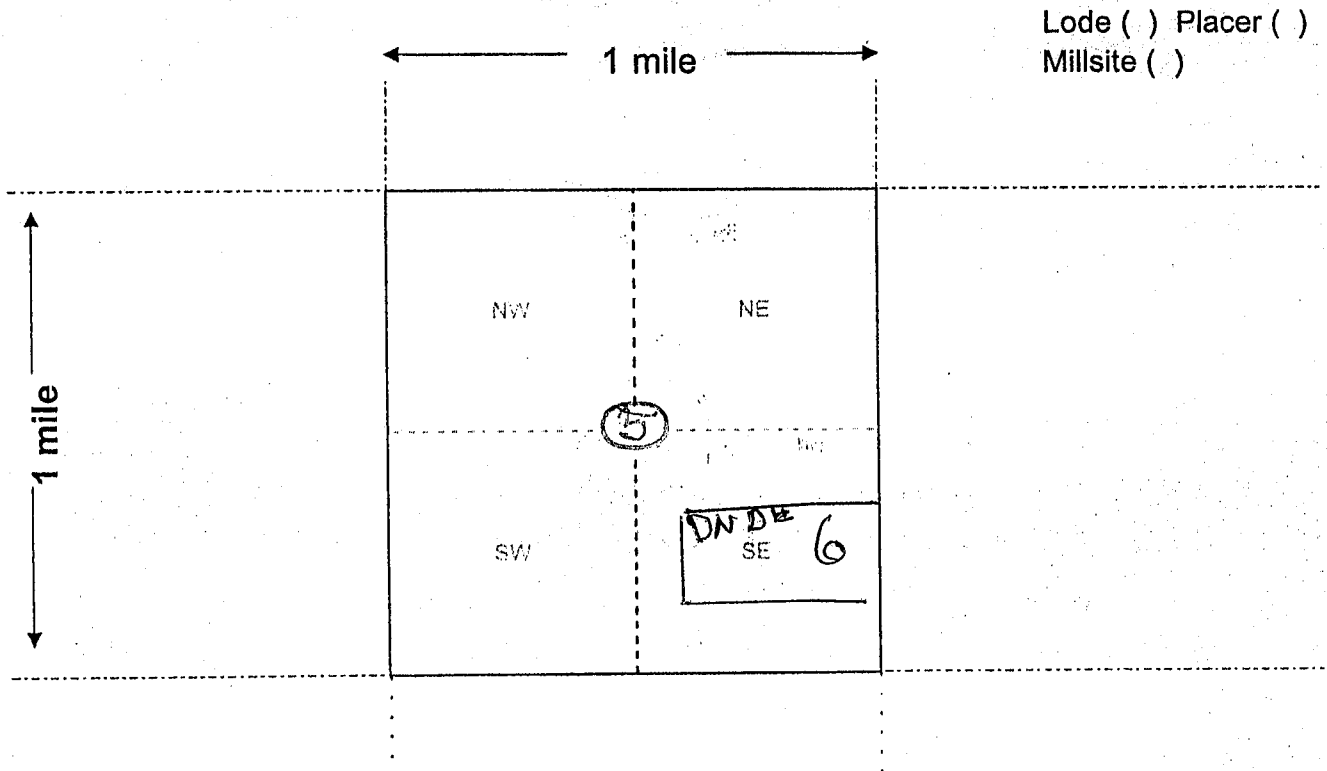
Print Name(s) Dan Jacobs

Signature(s) Dan Jacobs

Form MCF102  
Revised July 2014

AMC456942

**MINING CLAIM MAP**



Scale: 1" = 2000 feet

- The above map depicts the DND# 6 mining claim, which is located in Section (s) 5, Township 22 N, Range 17 W, Gila and Salt River Base and Meridian, Mohave County, Arizona. Total claim acreage is 20.
- The type of corner and location monuments used are as follows: 2" plastic  
pipe 4' tall
- The bearings and distances in degrees and feet between claim corners and to a public land survey monument are as depicted on the map.
- If the claim is a lode claim with exterior limits conforming to legal subdivisions of the public survey, provide a legal description of the claim SE 1/4 - Sec 5 - T-22N, R-17-W

**Form MCF100a**  
Revised July 2014



LOCATION NOTICE FOR MINING CLAIM

Amendment BLM Serial # \_\_\_\_\_

NOTICE IS HEREBY GIVEN that the DND # 8

lode mining claim has been located by

JCR-Mining Ventures whose current mailing

address is P.O. Box 447, Congress, Az

85332

RECEIVED  
BLM AZ STATE OFFICE  
2019 AUG 27 A 11:04  
PHOENIX, ARIZONA  
BLM  
Date  
Stamp

The general course of this claim is East to West and it is situated in Mohave

County, Arizona. This claim is 1500 feet in length and 600 feet in width.

20 Total Claim Acreage. This claim runs from the location monument on which this location notice is

posted at the NE corner of the claim approximately 600 feet in a South direction to the

South end line and 1500 feet in a West direction to the West end line. This claim is

marked by four monuments, one at each corner of the claim.

The location monument on which this notice is posted is situated within Section 5, Township

22 N, Range 17 W, Gila Salt River Base and Meridian, Arizona. This claim encompasses

portions of the following legal subdivision(s) if located by legal subdivision or the following quarter section(s),

section(s), Township(s) and Range(s) NE NW 1/4 Sec. 5, T-22N, R-17-W

NE, NW, Gila Salt River Base and Meridian, Arizona.

The locality of this claim with reference to some natural object or permanent monument and additional information

(if any) concerning its locality are as follows: NE corner approx. 1500 - E. Then

330-ft. North to the NE corner of Sec. 5 - T-22N,

R-17-W

The above information is shown on the attached map.

DATED AND POSTED on the ground this 25 day of Aug., 2019.

LOCATOR(s)  AGENT

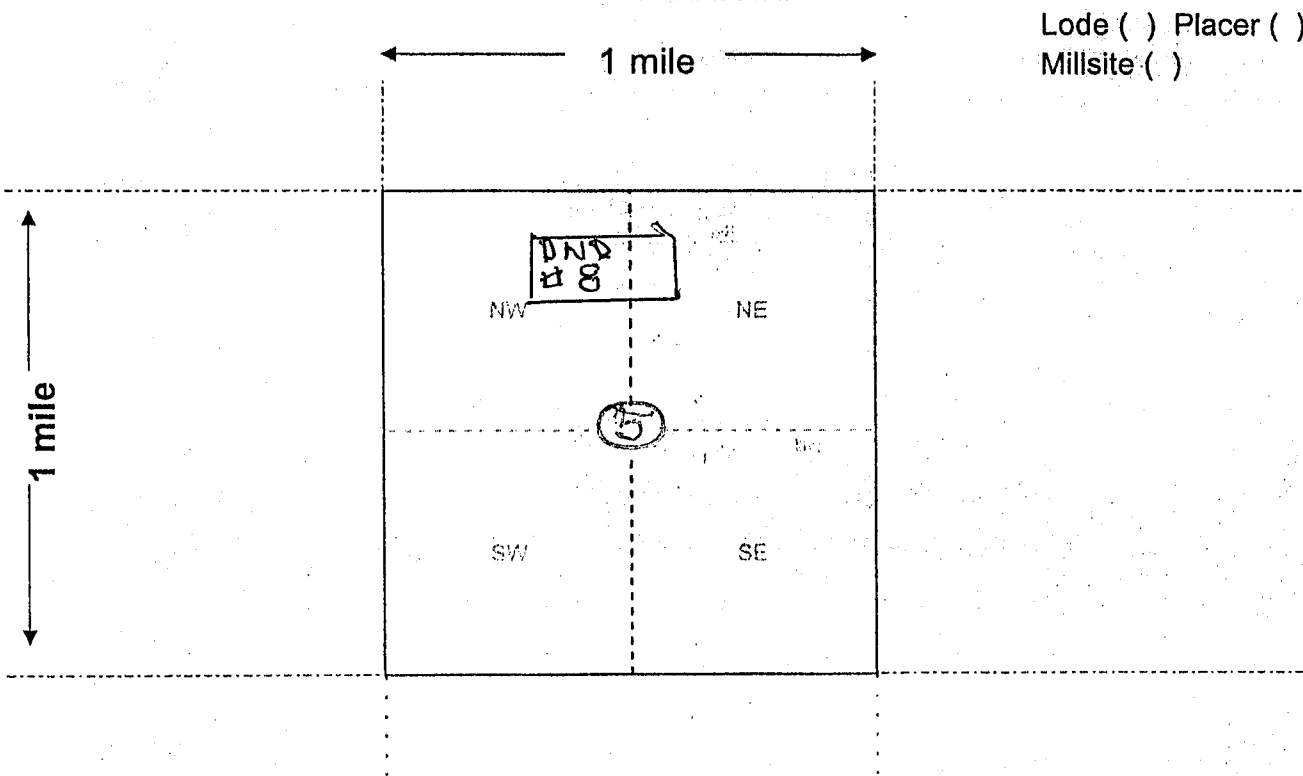
Print Name(s) Dan Jacobs

Signature(s) Dan Jacobs

Form MCF102  
Revised July 2014

AMC456943

**MINING CLAIM MAP**



Lode ( ) Placer ( )  
Millsite ( )

Scale: 1" = 2000 feet



- The above map depicts the DND # 8 mining claim, which is located in Section (s) 5, Township 22 N, Range 17 W, Gila and Salt River Base and Meridian, Mohave County, Arizona. Total claim acreage is 20
- The type of corner and location monuments used are as follows: 4" high plastic pipe x 2"
- The bearings and distances in degrees and feet between claim corners and to a public land survey monument are as depicted on the map.
- If the claim is a lode claim with exterior limits conforming to legal subdivisions of the public survey, provide a legal description of the claim NE 1/4 - Sec 5 - T-22N, R-17-W

Form MCF100a  
Revised July 2014

This form is available from the Arizona Geology Survey and may be reproduced.

LOCATION NOTICE FOR MINING CLAIM

Amendment BLM Serial# \_\_\_\_\_

NOTICE IS HEREBY GIVEN that the DND # 9

lode Mining claim has been located by JCR-Mining Ventures whose current mailing

address is P.O. Box 447, Congress, Az  
85332

BLM  
Date  
Stamp

PHOENIX, ARIZONA

2019 AUG 27 A 11:01

RECEIVED  
BLM AZ STATE OFFICE

The general course of this claim is East to West and it is situated in Mohave County, Arizona. This claim is 1500 feet in length and 600 feet in width.

20 Total Claim Acreage. This claim runs from the location monument on which this location notice is posted at the NE corner of the claim approximately 600 feet in a South direction to the South end line and 1500 feet in a West direction to the West end line. This claim is marked by four monuments, one at each corner of the claim.

The location monument on which this notice is posted is situated within Section 5, Township 22 N, Range 17 W, Gila Salt River Base and Meridian, Arizona. This claim encompasses portions of the following legal subdivision(s) if located by legal subdivision or the following quarter section(s), section(s), Township(s) and Range(s) NE 1/4 Sec. 5, T-22-N, R-17-W

\_\_\_\_\_, Gila Salt River Base and Meridian, Arizona.

The locality of this claim with reference to some natural object or permanent monument and additional information (if any) concerning its locality are as follows: the NE-corner of this claim is approx. 1500-ft. East and 930' - North to the NE-corner of Sec. 5-T-22-N, R-17W The above information is shown on the attached map.

DATED AND POSTED on the ground this 25 day of Aug., 2019.

LOCATOR(s)  AGENT

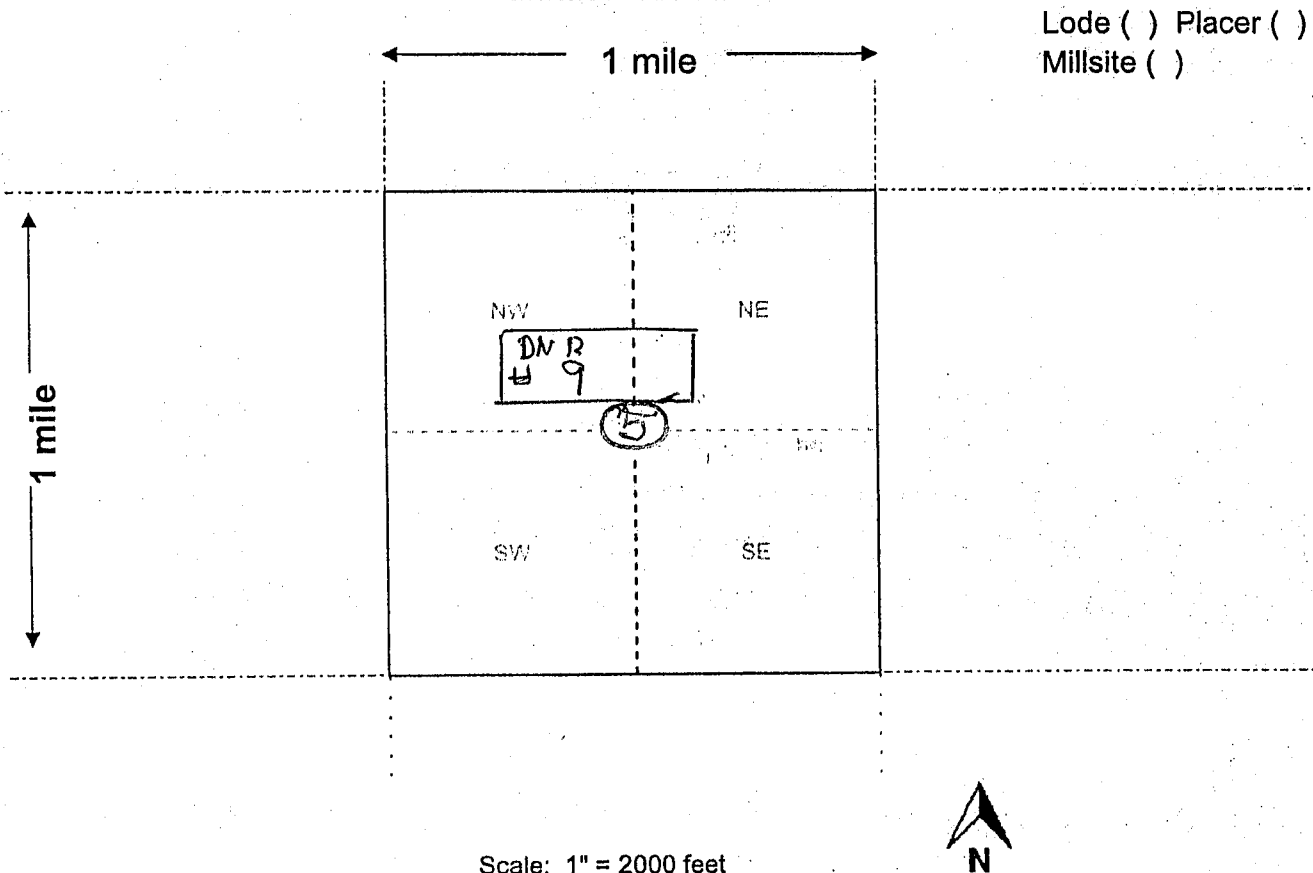
Print Name(s) Dan Jacobs

Signature(s) Dan Jacobs

Form MCF102  
Revised July 2014



**MINING CLAIM MAP**



Lode ( ) Placer ( )  
Millsite ( )

Scale: 1" = 2000 feet

1. The above map depicts the DND # 9 mining claim, which is located in Section (s) 5, Township 22 N, Range 17 W, Gila and Salt River Base and Meridian, Mohave County, Arizona. Total claim acreage is 20

2. The type of corner and location monuments used are as follows: 4' high plastic pipe X 2"

3. The bearings and distances in degrees and feet between claim corners and to a public land survey monument are as depicted on the map.

4. If the claim is a lode claim with exterior limits conforming to legal subdivisions of the public survey, provide a legal description of the claim NE NW/4 - Sec 5 - T-22N, R-17-W

Form MCF100a  
Revised July 2014

LOCATION NOTICE FOR MINING CLAIM

Amendment BLM Serial # \_\_\_\_\_

NOTICE IS HEREBY GIVEN that the DND# 10

lode mining claim has been located by JCR-Mining Ventures whose current mailing

address is P.O. Box 447, Congress, AZ  
85332

RECEIVED  
BLM AZ STATE OFFICE  
2019 AUG 27 11:06 AM  
PHOENIX, ARIZONA

BLM  
Date  
Stamp

The general course of this claim is East to West and it is situated in Mohave

County, Arizona. This claim is 1500 feet in length and 600 feet in width.

20 Total Claim Acreage. This claim runs from the location monument on which this location notice is

posted at the NE corner of the claim approximately 600 feet in a South direction to the

South end line and 1500 feet in a West direction to the West end line. This claim is

marked by four monuments, one at each corner of the claim.

The location monument on which this notice is posted is situated within Section 5, Township

22 N, Range 17 W, Gila Salt River Base and Meridian, Arizona. This claim encompasses

portions of the following legal subdivision(s) if located by legal subdivision or the following quarter section(s),

section(s), Township(s) and Range(s) NW 1/4 Sec. 5; T22N; R-17-W

\_\_\_\_\_, Gila Salt River Base and Meridian, Arizona.

The locality of this claim with reference to some natural object or permanent monument and additional information

(if any) concerning its locality are as follows: the NE corner of the claim is 300 ft

East and 930' North to the NE corner of Sec 5

T-22-N, R-17-W

The above information is shown on the attached map.

DATED AND POSTED on the ground this 25 day of Aug., 2019.

LOCATOR(s)  AGENT

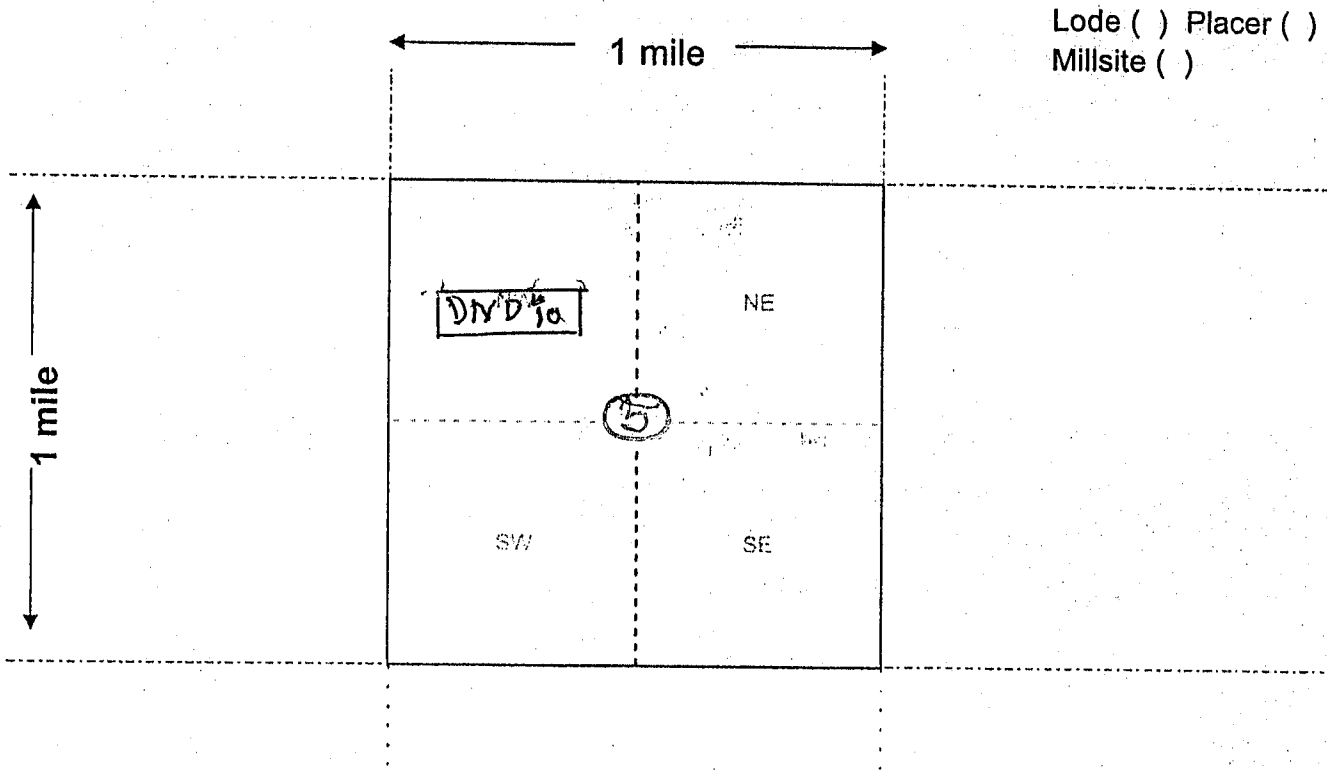
Print Name(s) Dan Jacobs

Signature(s) Dan Jacob

Form MCF102  
Revised July 2014

AMG 456945

**MINING CLAIM MAP**



Scale: 1" = 2000 feet

1. The above map depicts the DND #10 mining claim, which is located in Section (s) 5, Township 22 N, Range 17 W, Gila and Salt River Base and Meridian, Mohave County, Arizona. Total claim acreage is 20
2. The type of corner and location monuments used are as follows: 4' high plastic pipe x 2"
3. The bearings and distances in degrees and feet between claim corners and to a public land survey monument are as depicted on the map.
4. If the claim is a lode claim with exterior limits conforming to legal subdivisions of the public survey, provide a legal description of the claim NW 1/4 - Sec 5 - T-22N, R-17-W

Form MCF100a  
Revised July 2014

This form is available from the Arizona Geology Survey and may be reproduced.



**DEPARTMENT OF THE INTERIOR  
BUREAU OF LAND MANAGEMENT  
Case Recordation**

**Geographic Report with Land**

Disposition is equal to **AUTHORIZED , CANCELLED , EXPIRED , PENDING , REJECTED , RELINQUISHED ,  
WITHDRAWN**  
**and** Geo State is equal to **AZ**  
**and** Meridian Township Range Section is equal to **14 0220N 0170W 005**  
**and** Admin State is equal to **AZ**

DEPARTMENT OF THE INTERIOR  
BUREAU OF LAND MANAGEMENT  
Case Recordation  
Geographic Report with Land

Admin State: AZ  
Geo State: AZ

Serial Number	Total Case Acres:	Casetype	Case Disp	Mer	Twp	Rng	Sec	Sur Type	Sur Nr	Suf	Subdivision	Act Pend
AZPHX 0034352	422.001	285003	AUTHORIZED	14	0220N	0170W	005	LOTS			25,28,29,31,32;	







